

commercial spotlight series

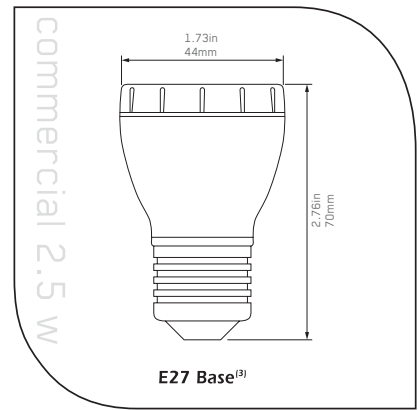
Commercial 2.5W

technical data

OPTILED

shaping the future of light

Please visit our website, www.OPTILED.com, to locate your nearest sales representative. You may also call James Chang (OPTILED customer service for mid-west and east coast US) at +1.702.966.9871 or Michael Schwartz (southwest and west coast US) at +1.714.338.0523 if you would like immediate assistance.



Commercial 2.5 Watt Specifications						
Base Type	Product Weight	Beam Patterns Available	Power Consumption	Rated Life	Operation Temperature	Indoor/Outdoor Use
E2, E17, E14, GU10	NA	4°*	2.5 Watts	35,000 Hrs	14 °F - 113 °F (-10 °C - +45 °C)	Indoor/Outdoor
Avail. Colors	Blue	Green	Red	Amber	Warm White	Daylight

* Changeable diffuser available to adjust beam angle

Specific Color Specifications		
	Daylight	Warm White
Power Consumption	2.5 W	2.5 W
Operational Voltage	100 V-240 V	100 V-240 V
Color Temperature	6500K	3000K
Color Rendering Index	Ra=75	Ra=85
Intensity of Light Output	25lm	13lm
OPTILED Part Number	110106BBAA	110105BBAA
OPTILED Part Number for other colors: Amber 110101BBAA, Blue 110102BBAA, Green 110103BBAA, Red 110104BBAA		

OPTILED Technology, LLC warrants its products for defects in material or workmanship for 35,000 hours or FOUR (4) years from Date of Purchase. Please note that any OPTILED lamp requiring a constant current driver will only be warrantied if it is used with the proper OPTILED branded driver. Please see the warranty page at www.OPTILED.com for a more complete description of our warranty program.

Proof of purchase necessary.

Please refer to Terms and Conditions at www.OPTILED.com for more information.

The OPTILED® and CHIP logos are registered trademarks of OPTILED Holdings Company Ltd.

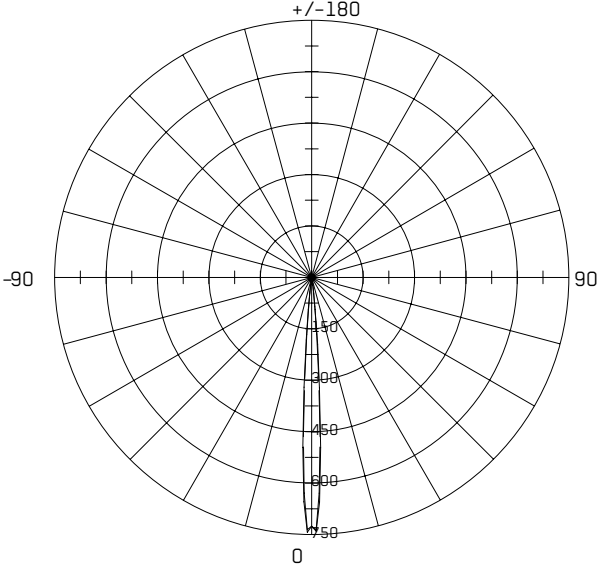
Country of origin: China

All rights reserved - OPTILED Holdings Co. Ltd. www.OPTILED.com

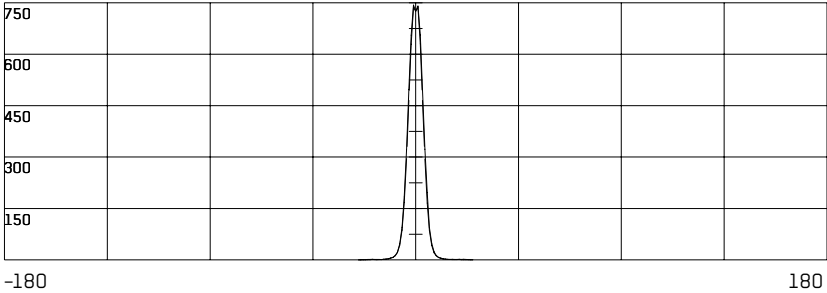


Packaging		
	Pieces	Gross Weight
Carton Pack	10 pcs / Carton	615g
Case Pack	10 Cartons / Case (100 pcs)	7.2 kgs

Light Distribution Curve



Polar Coordinates



[cd] | CO_180: _____ C90_270: _____

Max Intensity : 740.38cd/C0

Max Intensity : 736.06cd/C90